

# Spray-Away™

PATENT PENDING

...the Self-Storing, Easy-to-Use, Indispensable Campsite Tool

**A unique sprayer/storage system for RV and marine applications.**

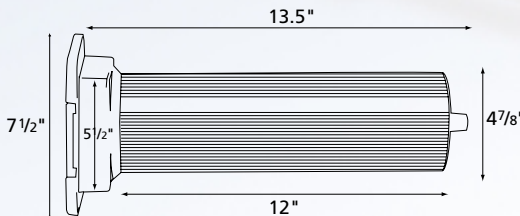
D&W's Spray-Away™ is a self-storing, self-contained product that eliminates the need for a bulky garden hose in marine and RV applications. This convenient, easy-to-install and use product has a patent pending and is available exclusively from D&W. Spray-Away's 15 feet of extremely flexible coiled hose automatically recoils neatly into a one-foot length and stows away in its own self-contained compartment. A quick-connect swivel fitting with valve shutoff, allows the hose to easily connect directly to the RV and marine plumbing system.

Spray-Away™ is the only product on the market that places a high-pressure, concentrated water spray within fast, easy reach yet requires so little space.

**Spray-Away™ makes short work of rinsing gear, cleaning fish, washing boats or vehicles, dousing campfires and many other chores that 'shower unit' type sprayers can't handle.**

## Check out these great Spray-Away™ features:

- Spray-Away™ is fully self-contained
- The only product of its kind on the market; so unique it has a patent pending
- Compatible with standard RV and marine plumbing for fast, easy installation
- No valves to open, no hose to screw on; just quick connect and spray
- Solid brass connections
- Highly flexible hose uncoils to 15 feet
- Hose recoils to 12 inch length, stores in its own compartment
- Crack-resistant 3/8" polyurethane hose is lightweight, UV resistant, more durable than rubber or PVC hose.
- Complies with all applicable code requirements. Not a potable (drinkable) water system



# Spray-Port™

Just connect and spray.

PATENT  
PENDING

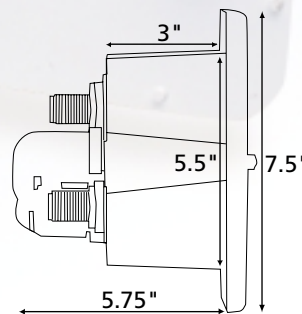
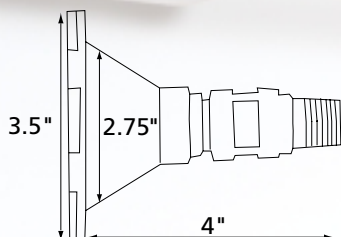
The Spray-Port™ is an auxiliary hook-up without storage. Small and simple, it measures only 4" deep and requires only a 2 3/4" round installation hole.

The Spray-Port™ can also be utilized, with or without a cover, in baggage compartments and/or under the hood of large motorized RV's.

**For maximum versatility, place a Spray-Away™ storage unit on one side of the RV and a Spray-Port™ hook-up on the other side.**

## New Hot & Cold Spray-Port™

Spray-Port™ is now more versatile than ever with this brand new hot/cold outlet option that makes rinsing sandy feet or muddy dogs comfortable and easy. High pressure/high volume water flow does a fast, thorough job. Uses a 5 1/2" square installation hole and is only 5 3/4" deep.



**d&w**  
Incorporated

\*Spray-Port™ coil hose sold separately.